

EVOSOUND **SPHERE** 2.1

Audio system 2.1



active subwoofer

SE • 08 SWA2

satellites

SE • 05 SP

table stands

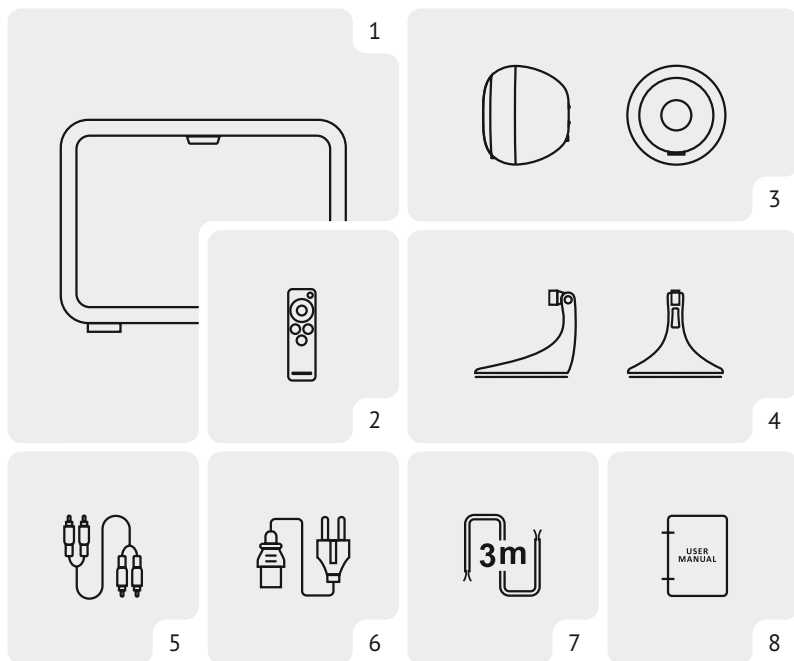
SE • 05 TS

infrared remote control

ERC • 09

Instruction manual

1. Set of equipment



1. Subwoofer SE • 08 SWA2 ×1
2. Infrared remote control ERC • 09 ×1
3. Satellites SE • 05 SP ×2
4. Table stands SE • 05 TS ×2
5. RCA cable ×1
6. Power cord ×1
7. Acoustic cable (3 m) ×2
8. Instruction manual ×1

2. Important safeguards

Check the mains voltage before use

The acoustic system is designed for the AC line operation of 200-240 V, 50 Hz. Power connection to the line with the voltage other than the indicated one may pose a safety risk and lead to fire as well as the damage of the device.

Handle the power cord carefully

To avoid any safety risks, use only the power cord, supplied in the set of equipment. Do not lay the cord under mats or carpets and do not place any heavy objects on it. The damaged cord should be replaced immediately.

When unplugging the power cord, always pull by the plug. Do not pull by the cord. If you do not use the acoustic system for a long time, unplug it.

Do not open the back cover of the device

Inside of the product, there are no components intended to be maintained by the user. Opening the cover may lead to an electric shock, while any changes of the product will result in the warranty cancellation. Should the liquid accidentally get into the device, unplug it immediately and contact the After-Sale Service Centre.

3. General configuration and control

3.1 Controls and connection interfaces SE • 08 SWA2

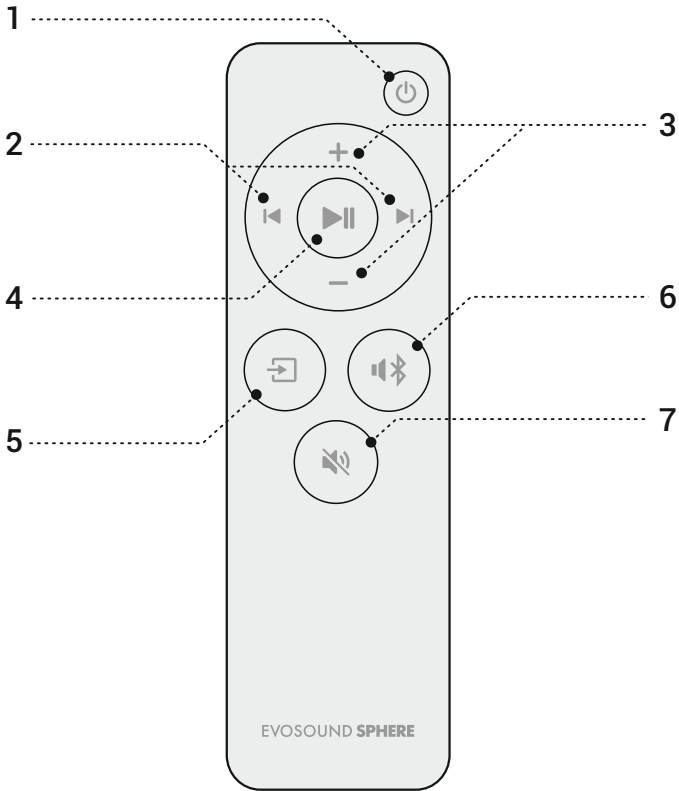
1. Volume
2. Subwoofer Volume
3. Coaxial input
4. Optical input
5. Inputs AUX - RCA
6. Bluetooth button
7. Input Line mini-jack 3.5 mm
8. Playback source selection button
9. Terminals to connect satellites
10. Power cord connection
11. Power switch
12. Infrared receiver and playback source LED

3.2 Subwoofer LED Changes:

- AUX – white color
- Line – yellow color
- Optical – red color
- Coaxial – green color
- Bluetooth – blue color

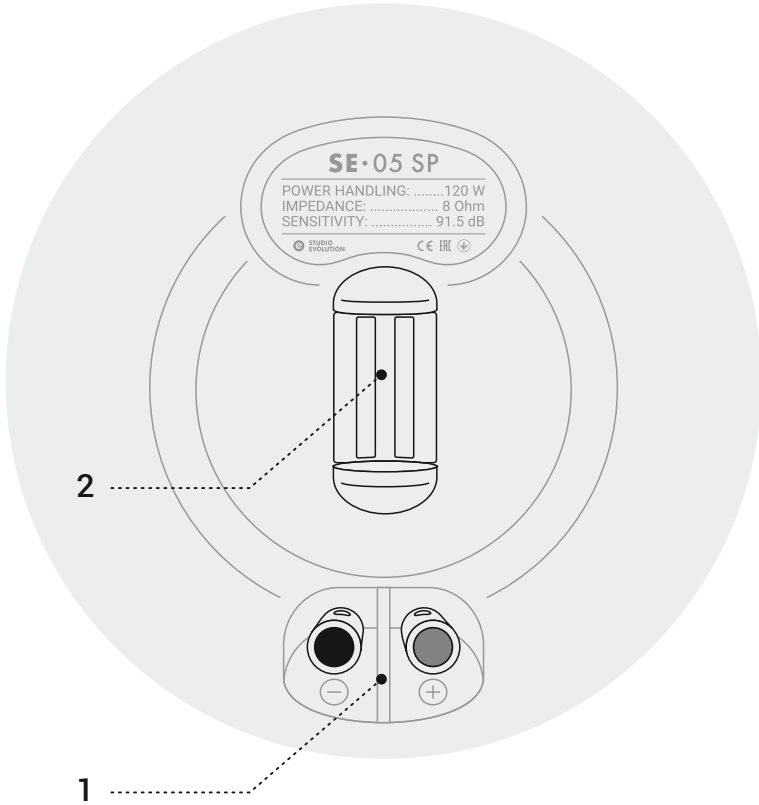
If the LED constantly flashes with different colors, MUTE function is active.

3.3 ERC • 09 remote control panel



1. Power Button
2. Next or previous track when playing via Bluetooth
3. Volume up and down
4. Play and pause while playing via Bluetooth
5. Source selector
6. Quick selection of Bluetooth as a source
7. Mute and unmute

3.4 Connection interfaces SE • 05 SP



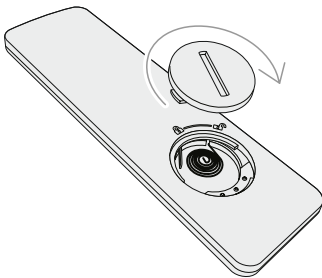
1. Terminals to connect a subwoofer
2. A slot with the magnet contacts to assemble the device on the mount.

4. Installation

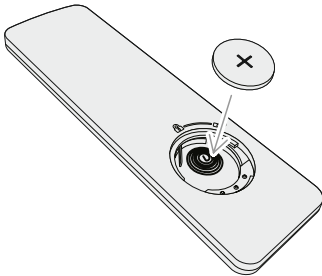
WARNING

- Plug in SE • 08 SWA2 only after all the cables are connected.

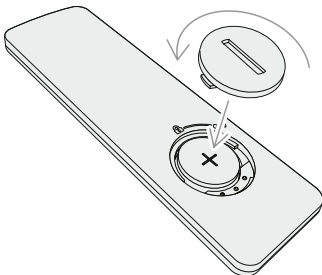
4.1 Placing the batteries before using a remote control.



- 1) Turn the battery cover toward an open-lock image and remove it.

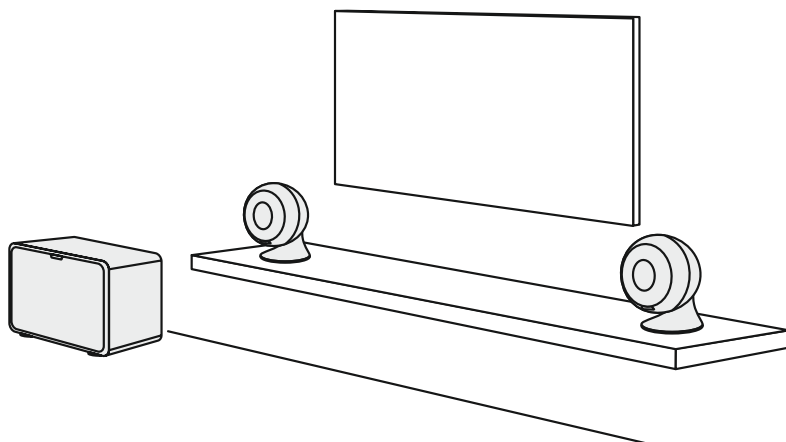


- 2) Place a R2025 battery, considering the polarity (+ is upper).



- 3) Place back the battery cover.

4.2 Subwoofer installation and assembling of the table stands for SE • 05 TS

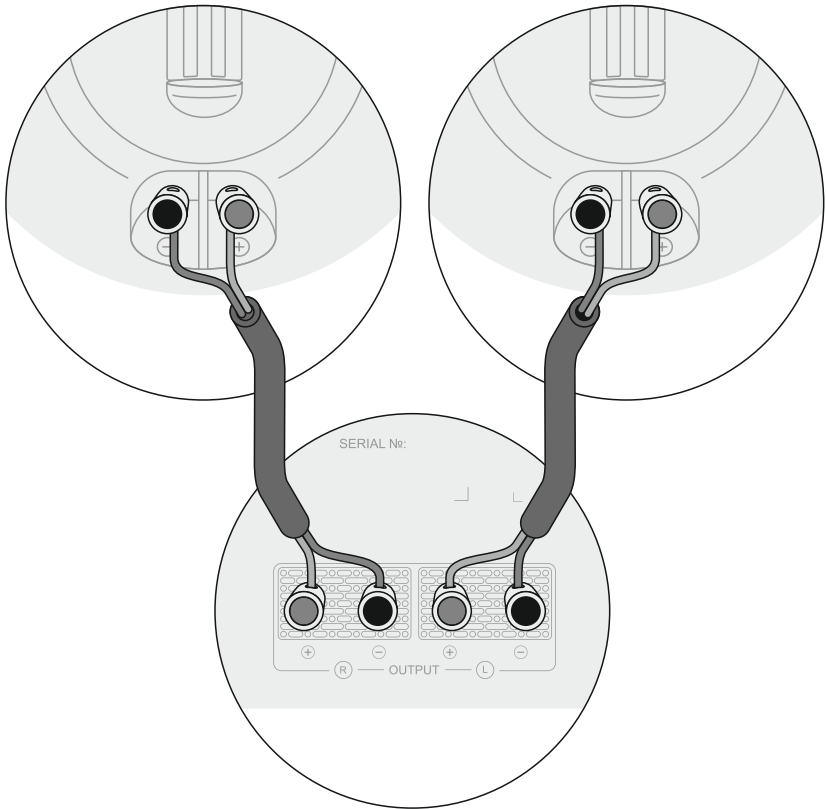


Choose the place of installation for SE • 08 SWA2. Subwoofer. The most appropriate position for the subwoofer in the room is either left or right from the TV-set, somewhat away from the satellites.

Do not hinder the front subwoofer panel not to interfere with the remote control receiver. To be controlled remotely the subwoofer should be in the line of sight.

To prevent subwoofer basses from sliding across the smooth floor, the subwoofer is supplied with the rubber feet.

The acoustic system EVOSOUND SPHERE is supplied with the special table stands SE • 05 TS with the rubber bearing to prevent sliding and additional vibrations when the system is installed on the shelf or other surface.

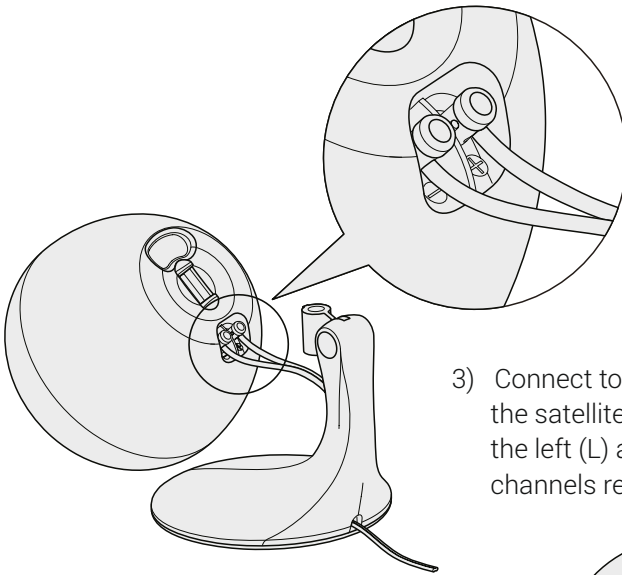
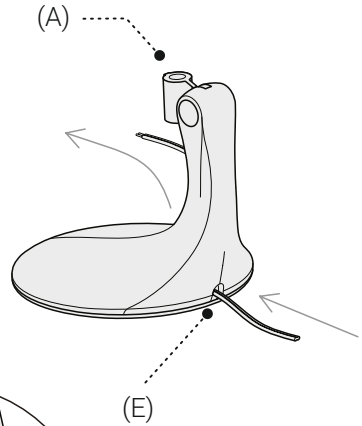


- 1) Using the supplied acoustic cables, connect one end to the connectors OUTPUT, L, R on the subwoofer.
 - Push and hold the connector button.
 - Insert a non-isolated end of the cable to the hole.
 - Release the connector button.
 - Check that the cables are secured safely in the connectors.

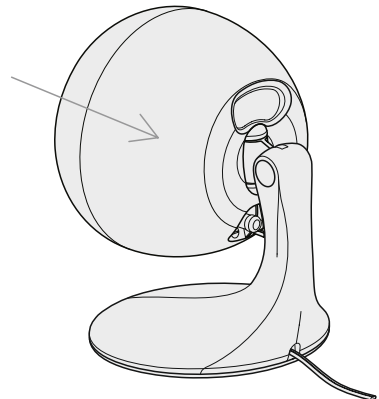
IMPORTANT NOTICE:

- Observe the polarity of connection. The cable marked red should only be connected to the **red** connector “+”, the cable marked **black** should be connected to the **black** connector “-”.

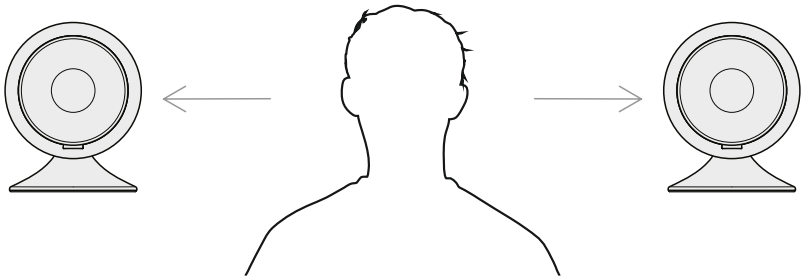
- 2) Pull the other end of the cable through the hole at the slope of the table stand (E).
• Then pull the cable through the inside part so that the cable exits under the table stand bracket (A).



- 3) Connect to the connectors on the satellites SE • 05 SP for the left (L) and right (R) channels respectively.



- 4) Use the slot with the magnet contacts of the satellites to secure SE • 05 SP on the bracket of the table stand(A).



Place the table stands on the equal distance to the left and to the right from the listening point. They have to be approximately at the level of the listener's ears.



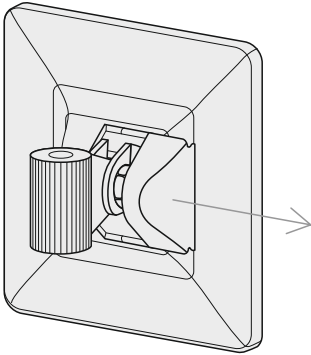
- 5) If necessary, you can adjust the slope level toward the listener. For this purpose, hold the table stand with one hand, and use your other hand to pull a satellite up or down.

WARNING

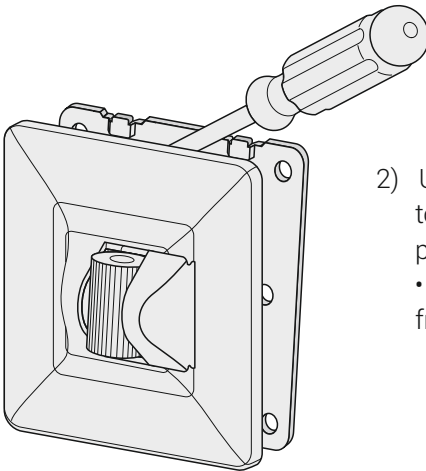
- Do not put too much pressure when adjusting, as the bracket can break down.
- The adjustment should be strictly vertical.

4.3 Assembling and installation of the wall bracket SE • 05 WB

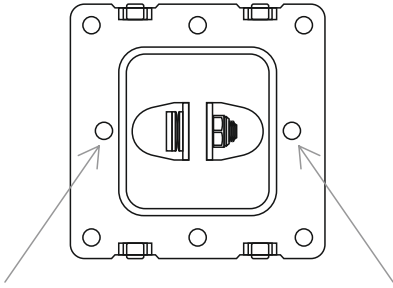
The wall brackets SE • 05 WB are not supplied in the set and should be purchased separately.



- 1) Detach a half of the decorative panel, as the picture shows.

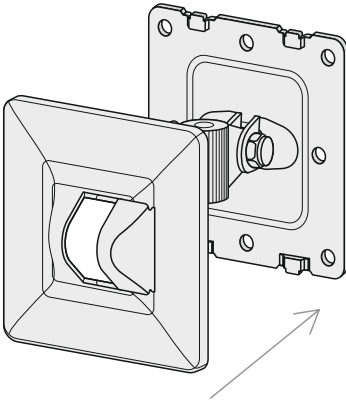


- 2) Use a flat-headed screwdriver to pry up a decorative plastic panel from the other side.
 - Separate the metal basis from the decorative panel.

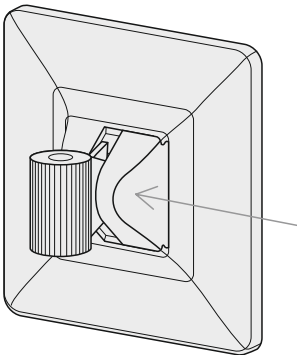


- 3) Attach the basis of the bracket to the wall and mark the spots for the screws from both sides - to the right and to the left from the mount bracket, as the picture shows.

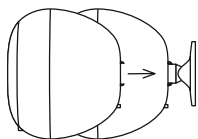
- Drill the holes on the wall for the screws, following your marking.
- Place the basis of the wall bracket on the wall, securing both screws.



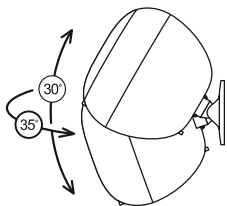
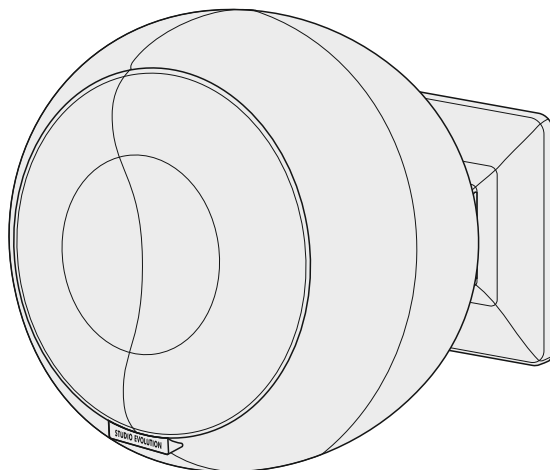
- 4) Carefully fix the decorative panel over the basis. Press until you hear a typical click.



- 5) Slide a half of the decorative panel back to the centre.



- 6) Use a slot with the magnet contacts of the satellites to secure SE • 05 SP on the wall bracket.



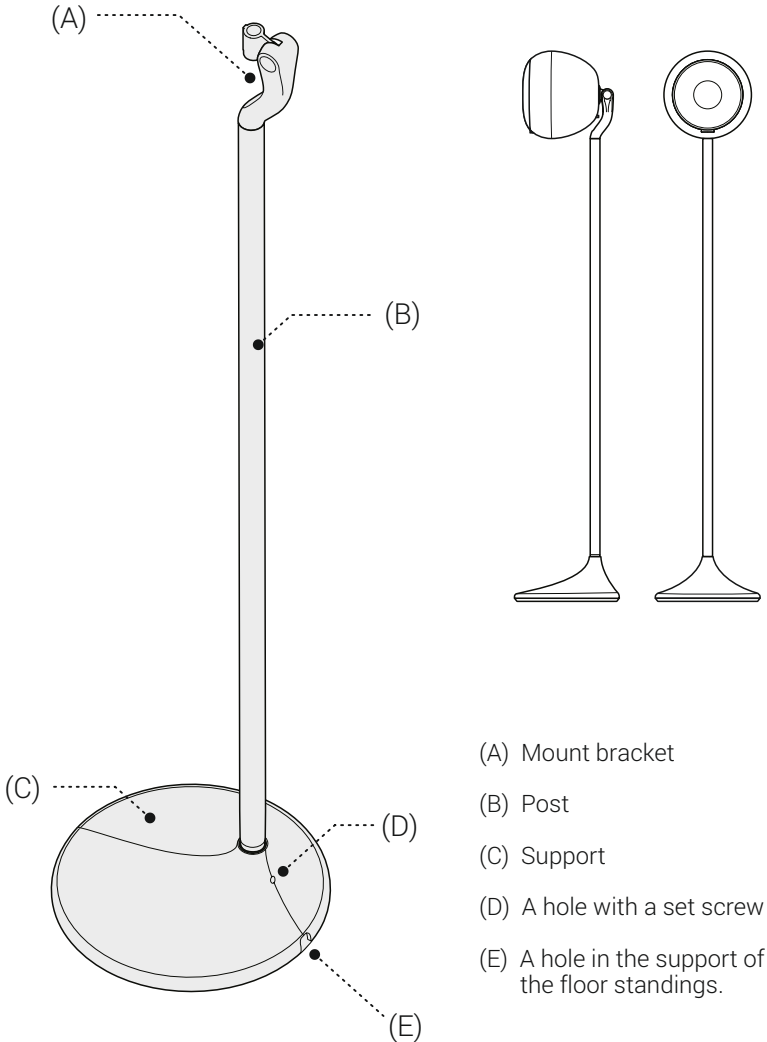
- 7) If necessary, you can adjust the slope level and angular rotation toward the listener. For this purpose, move the satellite up/down or rotate it right/left.

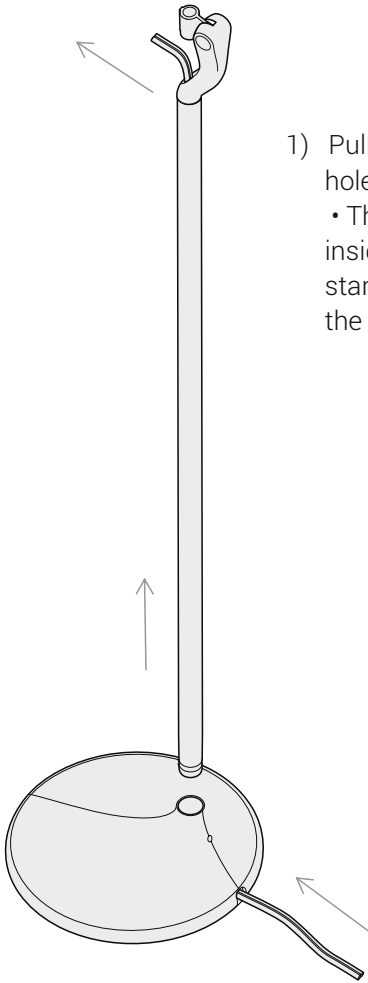
WARNING

- Do not put too much effort when adjusting, as the bracket can break down.
- Adjustment is vertical and horizontal.(E)

4.4 Assembling and installation of the floor standing SE • 05 FS

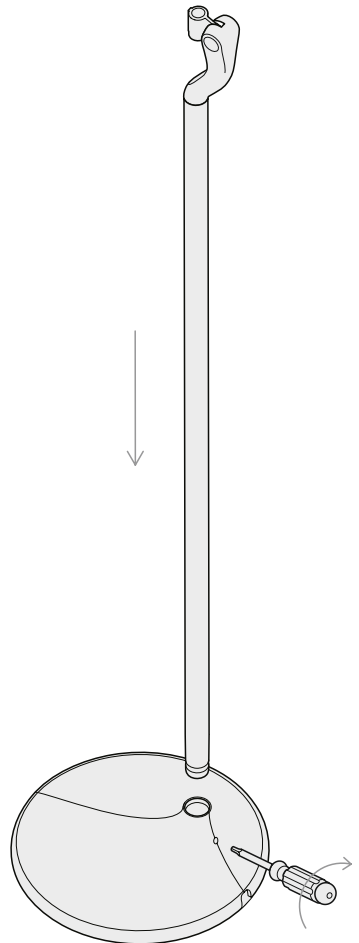
Floor standings SE • 05 FS are not supplied in the set and are purchased separately.

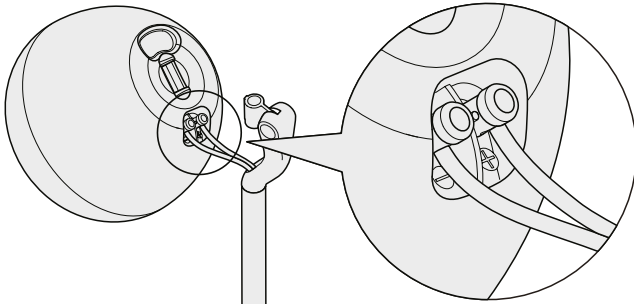




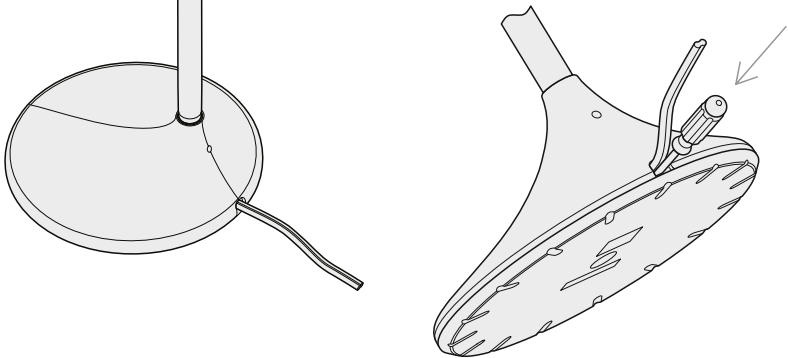
- 1) Pull the end of the cable through the hole in the floor standing (E)
 - Then pull the cable through the inside part of the post (B) of the floor standing so that the cable exits under the bracket (A).

- 2) Secure the post (B) on the support (C) in the way, that will place the bracket (A) above the major part of the support.
 - Fix the post with a set screw (D) with the inner square, which is supplied in the set, using a special screwdriver.





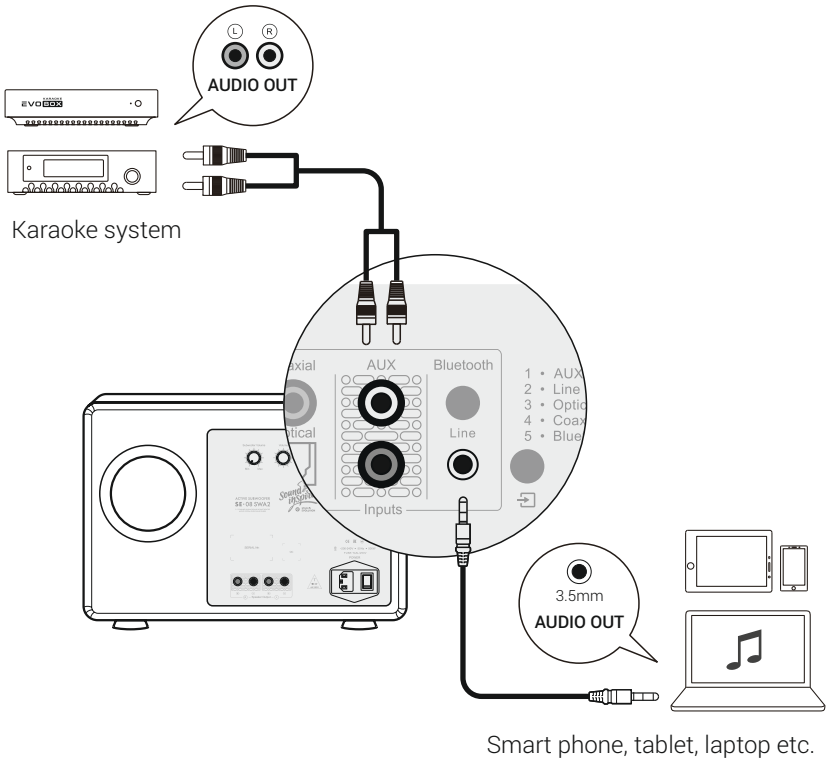
- 3) Connect to the connectors on the satellites SE • 05 SP for the left (L) and right (R) channels respectively.



- 4) Adjust the cord length so that it is not seen from under the satellite. To pull the cord down and loose the locating fixture, use a screwdriver in the manner the picture shows.

5. Connection

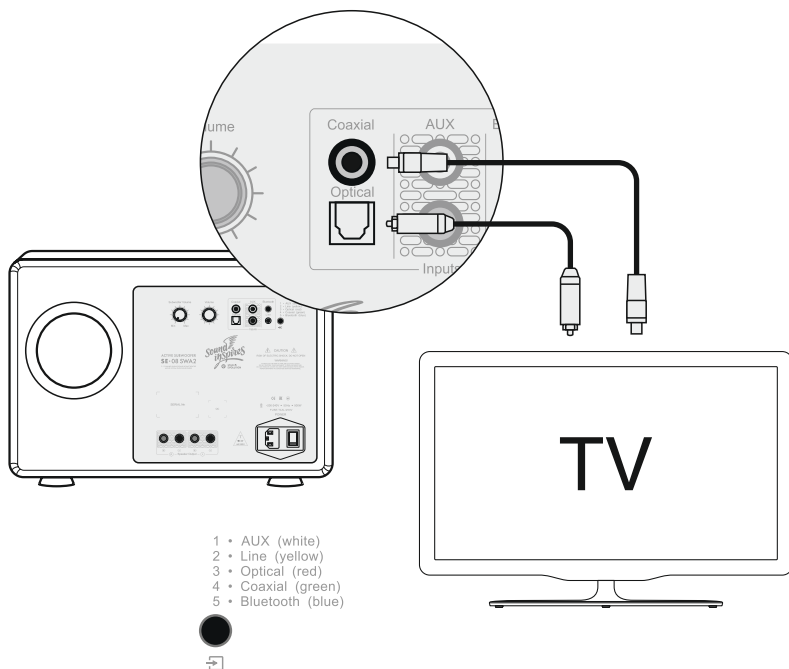
5.1 Connection to a karaoke system and other devices



When connecting SE • 08 SWA2 to a karaoke system, use the supplied RCA-cable and connect the connectors of the karaoke system to **AUX** connectors on the subwoofer. The front panel LED should turn **white**.

Use **Line** (Mini-jack 3.5 mm) input to connect a smartphone, laptop, or other devices with an analogue output. The front panel LED should turn **yellow**.

Use coaxial and optical cables to connect the source of the digital sound, for instance, a TV set.



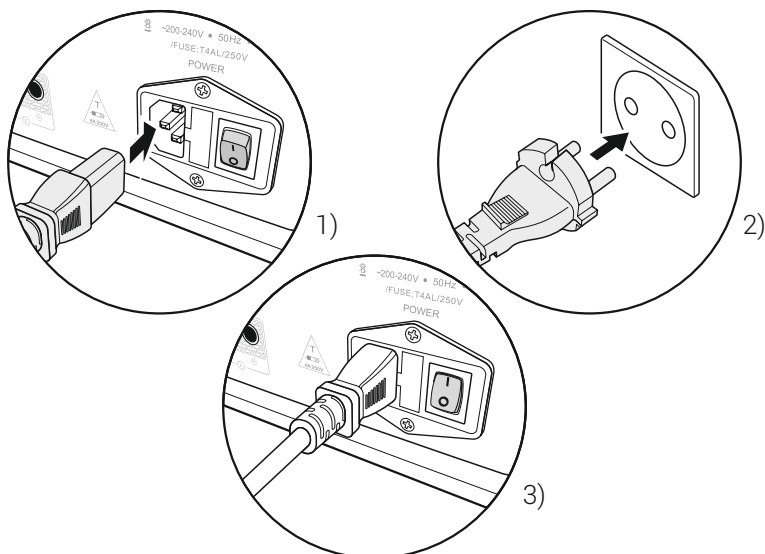
Use a remote control or a back-panel switcher to select a necessary source to play from. The front panel LED should turn a relevant colour: **red** - for Optical, **green** - for Coaxial.

IMPORTANT NOTICE!

- Do not forget to remove a protector from both sides of the optical cord.
 - The maximum number of the operative channels is 2.
- If after connection the sound does not play or is distorted or broken, consult the instruction manual to the TV set or other device that reproduces the sound to eliminate problems and get more detailed information.

5.2 Connection to the power line

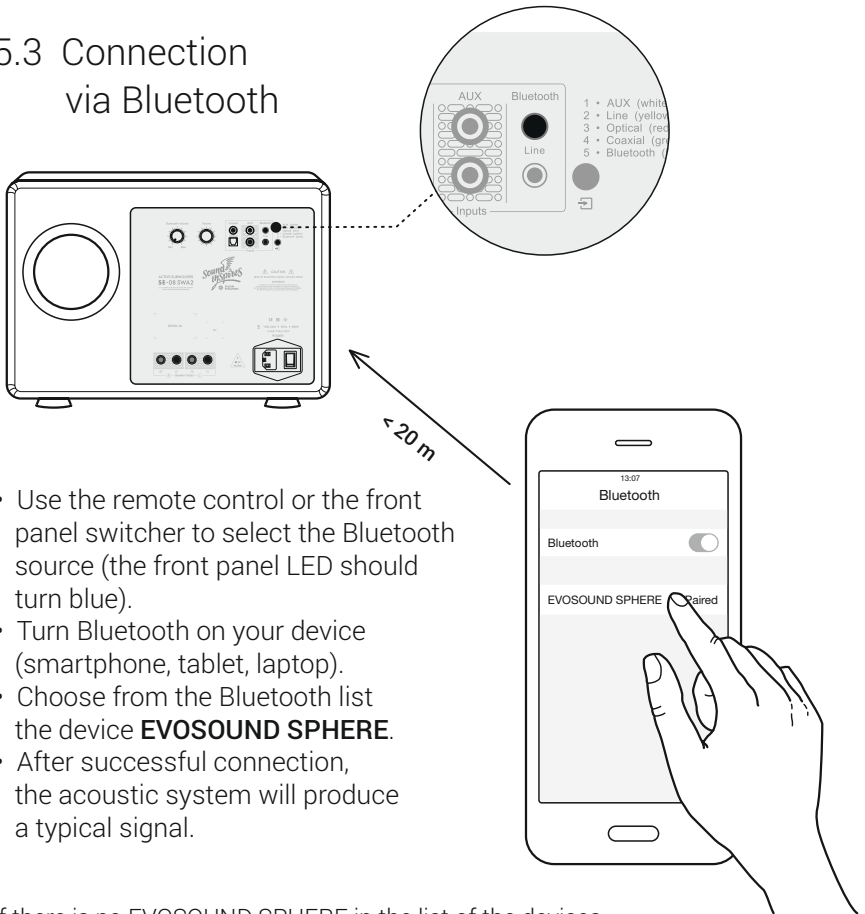
After connecting all the cables, you can connect SE • 08 SWA2 to the power line.



- 1) Connect the power cord to SE • 08 SWA2. The power switcher should be placed in **O (OFF)** position.
- 2) Plug in the electric socket. The acoustic system is designed for the AC line operation of 200-240 V, 50 Hz.
- 3) Place the power switcher in the position **I (ON)**. A green power indicator will turn on.
- 4) Press the power button on the remote control.

Subwoofer SE • 08 SWA2 will switch to a stand-by mode automatically after 10 minutes of remaining inactive if no audio is being played on the device during that time. In this mode, the indicator will turn red. The device exits the stand-by mode automatically after receiving a sound signal or by pressing the power button on the remote control.

5.3 Connection via Bluetooth



- Use the remote control or the front panel switcher to select the Bluetooth source (the front panel LED should turn blue).
- Turn Bluetooth on your device (smartphone, tablet, laptop).
- Choose from the Bluetooth list the device **EVOSOUND SPHERE**.
- After successful connection, the acoustic system will produce a typical signal.

If there is no EVOSOUND SPHERE in the list of the devices, press and slide down the Bluetooth button on the back panel of the subwoofer and try again.

Controlling playback with the remote control:

- ▶|| Start, pause or resume playback.
- ◀ Go to previous or ▶▶ next track.

IMPORTANT NOTICE:

- The distance between the subwoofer and Bluetooth device should not exceed 20 meters.
- Any impediment between the subwoofer and Bluetooth device will shorten the operative distance.

6. Maintenance

- Wipe the device with the soft cotton cloth; if it is dirty, wipe it with a soft damp cloth, with the subwoofer unplugged before that.
- Do not use organic solvents as they can bleach or damage the surface of subwoofer.
- Do not place the device under the direct sunlight or near the heating equipment.

7. Technical properties

General

- Input sensitivity/ input resistance 570 mB / 47 k Ω
- Total harmonic distortion $\leq 0,06\%$
- Frequency 26 ~ 20000 (± 3 dB)
- Peak power demand 500 W
- Voltage 200-240 V / 50 Hz

Subwoofer

- Size (W*L*H) 385×270×249 mm
- Net weight 8,2 kg
- Noise pressure level 90 dB
- Resistance 4 Ohm
- Frequency 26 ~ 120 Hz
- Nominal power 150 W
- Set of components 8" LF-loudspeaker × 1
- Type Phase splitter

Satellites

- Size (W*L*H) 180×180×165 mm
- Net weight 1,03 kg
- Noise pressure level 91,5 dB
- Resistance 8 Ohm
- Frequency 120 ~ 20000 Hz
- Nominal power 120 W
- Set of components 5"+1" MF/HF-loudspeaker
- Type Passive loudspeakers



WWW.STUDIO-EVOLUTION.COM